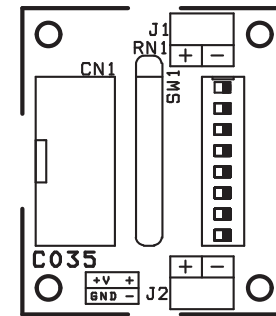
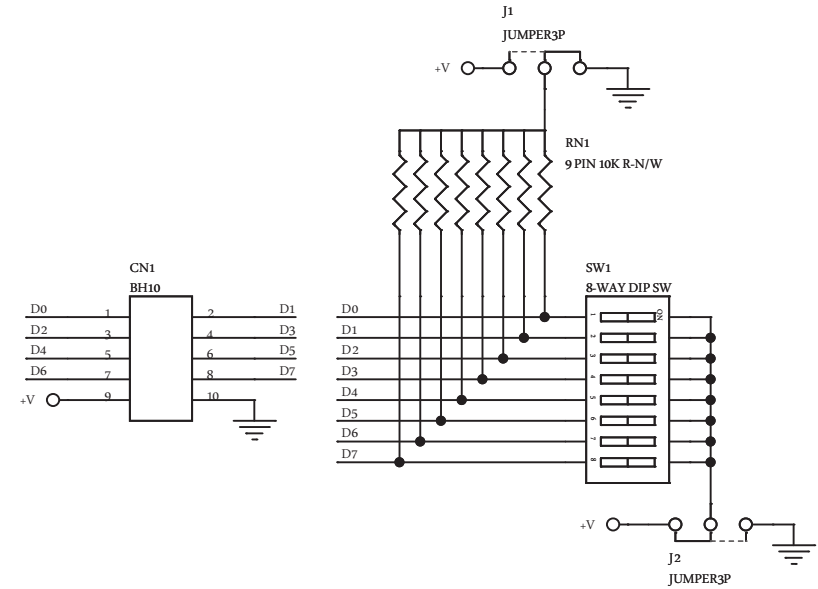
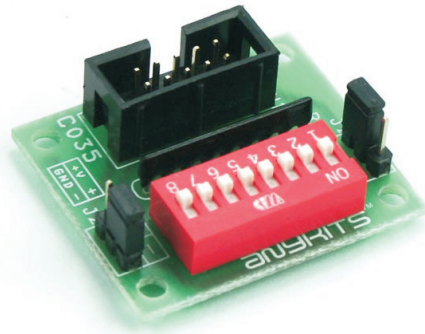


8 WAY DIP SWITCH BOARD *C035*

8 Way DIP Switch Board is a simple PCB offering easy connection of a standard 10-pin Box Header connector to a 8 way DIP Switch with a jumper selectable pull-up / pull down of resistor network connected in parallel.
PCB dimensions 32 mm x 37 mm



SR.	QTY.	REF.	DESCRIPTION
1	1	CN1	10 PIN BOX HEADER CONNECTOR
2	2	J1,J2	3 PIN JUMPER WITH CLOSER
3	1	RN1	9 PIN 10K R-N/W
4	1	SW1	8-WAY DIP SWITCH