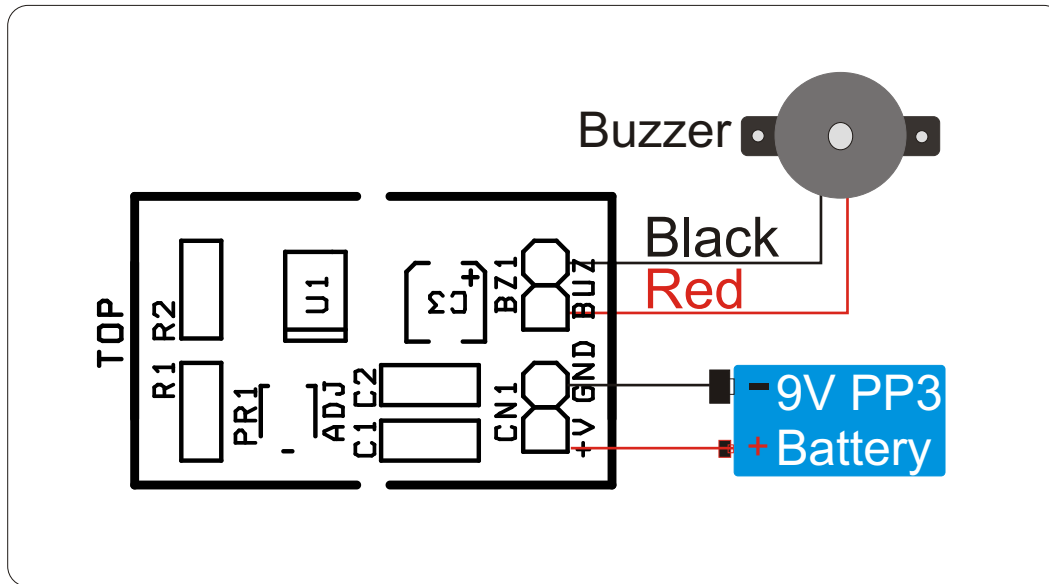


METRONOME

Audible Metronome circuit has been designed around 555 Timer, Circuit generates audible tempo, In effect IC generates train of pulses. Buzzer used as output device .

Supply 5V-12V DC @ 30mA
Frequency 1Hz to 20Hz

CN1:-DC supply input 5V-12V DC
BZ1:-Buzzer
PR1:-Frequency adjust



SR	QTY	REFERENCE	DESCRIPTION
1	1	BZ1	BUZZER
2	1	CN1	2 PIN BERG CONNECTOR
3	2	C1,C2	0.1uF
4	1	C3	10uF/16V OR 35V
5	1	PR1	100K PRESET
6	2	R1,R2	1K
7	1	U1	555

